

# Service manual

**Version: 2.00**

**Ident: B15-EM-IS**

**Series: EM**

**Part-Number: 500370**

**This part can be ordered.**



## Chapter

- 500375 - Baking Chamber B15 - V:2.00
- 500374 - Door B15 EM - V:2.00
- 500377 - Electric slide B15-EM-IS - V:2.00
- 500378 - Frame B15 - V:2.00
- 500376 - Installation-Room B15 - V:2.00
- 500379 - Operating Panel B15 IS600 - V:2.00
- 500373 - Rack Trolley B15 - V:2.00

# Service manual Baking Chamber B15

Version: 2.00

Ident: B15-EM-IS

Series: EM

Part-Number: 500375

This part can be ordered.

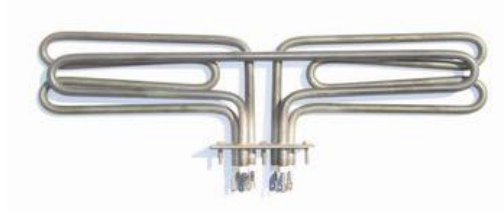


## Chapter

- [010] - 34961 - Heater 4000 W
- [020] - 34960 - Heater 3000 W
- [030] - 33862 - Fan wheel
- [040] - 40198 - Door seal
- [050] - 02524 - Humidification Connection
- [060] - 104657 - Steaming Pipe
- [070] - 34047 - Seal motor shaft
- [080] - 36117 - Seal heater

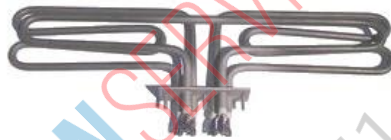
## Part: Heater 4000 W

Part-Number: 34961



## Part: Heater 3000 W

Part-Number: 34960



## Part: Fan wheel

Part-Number: 33862



## Part: Door seal

Part-Number: 40198

## Part: Humidification Connection

Part-Number: 02524



---

## Part: Steaming Pipe

Part-Number: 104657

---

## Part: Seal motor shaft

Part-Number: 34047



---

## Part: Seal heater

Part-Number: 36117



# Service manual Door B15 EM

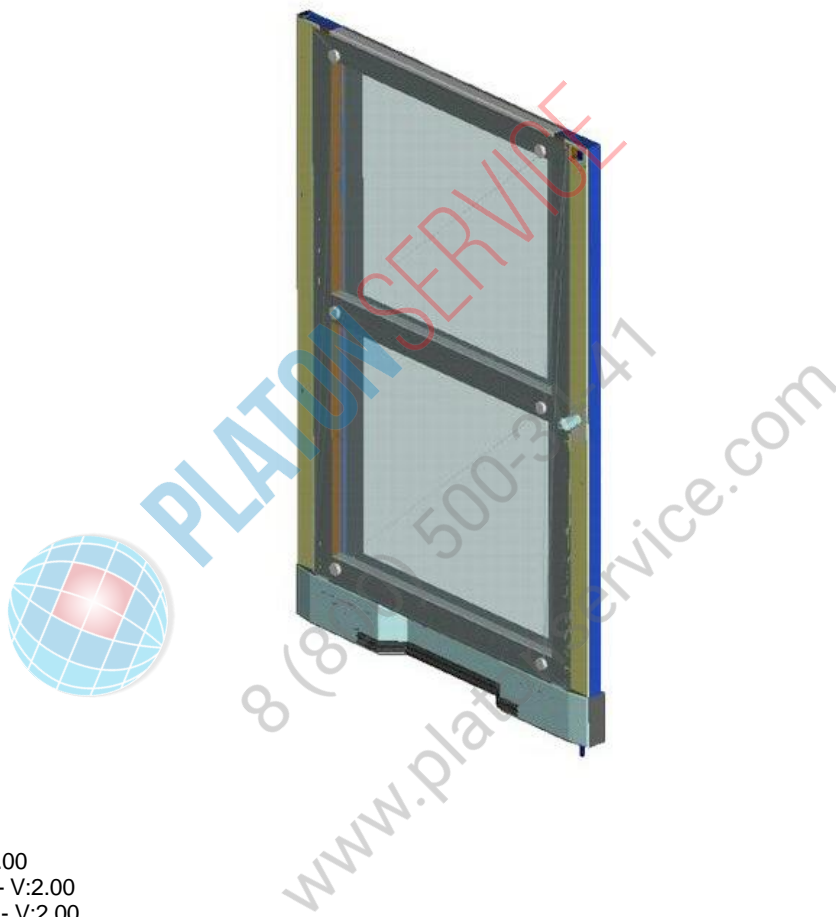
**Version: 2.00**

**Ident: B15-EM-IS**

**Series: EM**

**Part-Number: 500374**

**This part can be ordered.**



## Chapter

500385 - Door Handle - V:2.00  
33886 - Sealing Pane BG3 - V:2.00  
33887 - Viewing glass BG3 - V:2.00

[040] - 33891 - Halogen sockets  
[050] - 101731 - Halogen Lamp 12V 10W  
[060] - 34312 - Porcelain clamp  
[070] - 33880 - Glass plate holder  
[080] - 34577 - Seal for glass plate holder

## Part: Halogen sockets

Part-Number: 33891



---

## Part: Halogen Lamp 12V 10W

Part-Number: 101731



---

## Part: Porcelain clamp

Part-Number: 34312



## Part: Glass plate holder

Part-Number: 33880

---

## Part: Seal for glass plate holder

Part-Number: 34577

---



**PLATON SERVICE**

8 (800) 500-34-47

[www.platonservice.com](http://www.platonservice.com)

# Service manual Door Handle

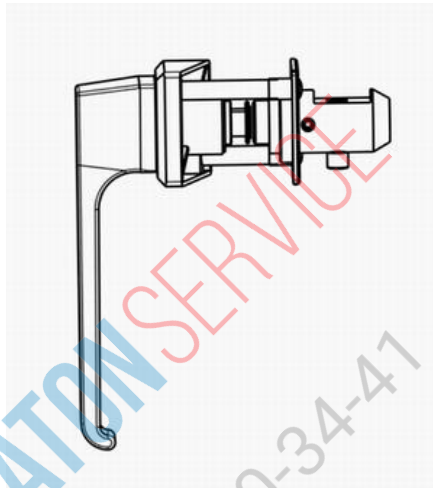
**Version: 2.00**

**Ident: B15-EM-IS**

**Series: EM**

**Part-Number: 500385**

**This part can be ordered.**



## Chapter

500386 - Door Handle B15 left complete - V:2.00  
500387 - Door Handle B15 right complete - V:2.00



8 (800) 500-34-47  
www.platonservice.com



# Service manual

## Door Handle B15 left complete

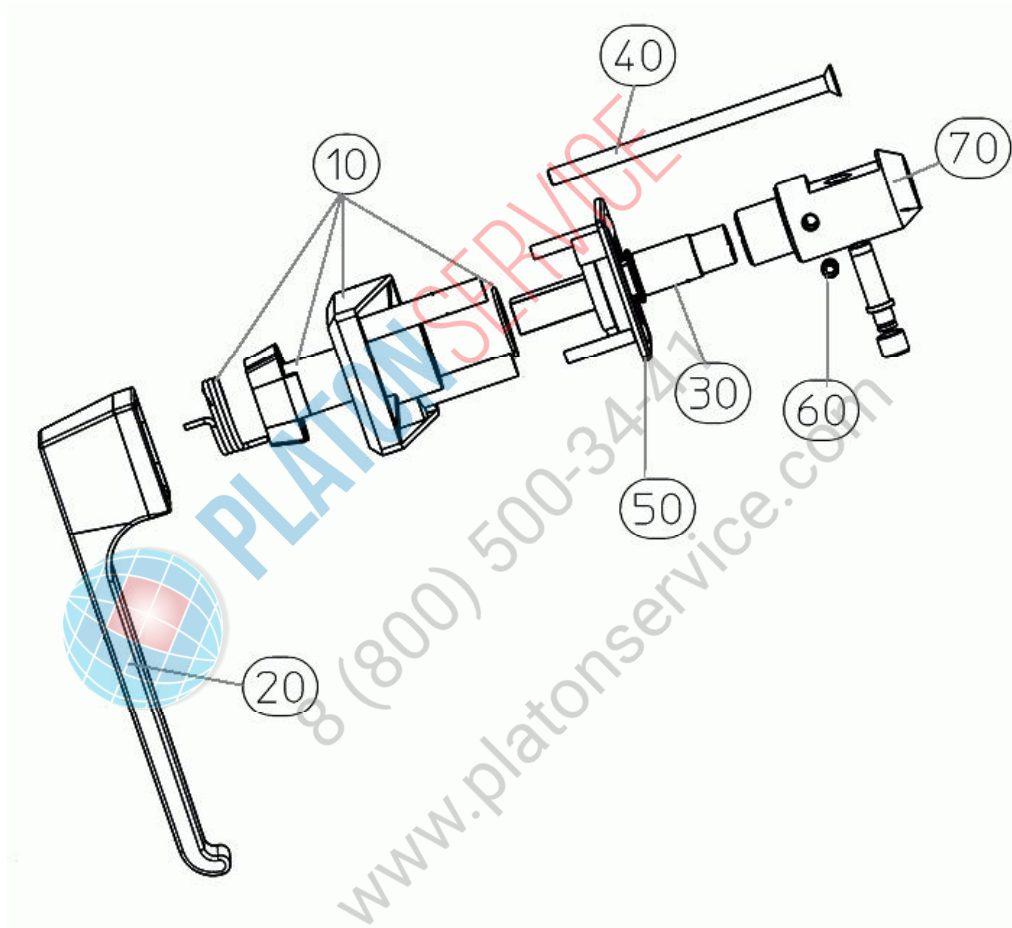
Version: 2.00

Ident: B15-EM-IS

Series: EM

Part-Number: 500386

This part can be ordered.



### Chapter

500384 - Handle Element B15 left complete assembled - V:2.00

- [020] - 36714 - Door handle B15
- [030] - 103519 - Axle
- [040] - 42720 - Screw M6x110 DIN 7991
- [050] - 38152 - Counterpiece
- [060] - 42725 - Threaded pin M8x8 DIN 913
- [070] - 101068 - Sash fastener

## Part: Door handle B15

Part-Number: 36714



---

## Part: Axle

Part-Number: 103519



PLATON SERVICE  
8 (800) 500-34-47  
www.platonservice.com

**Part: Screw M6x110 DIN 7991**

Part-Number: 42720

---

**Part: Counterpiece**

Part-Number: 38152



**Part: Threaded pin M8x8 DIN 913**

Part-Number: 42725



**Part: Sash fastener**

Part-Number: 101068

---

# Service manual

## Handle Element B15 left complete assembled

Version: 2.00

Ident: B15-EM-IS

Series: EM

Part-Number: 500384

This part can be ordered.



### Chapter

[010] - 100795 - Handle Insert B15

[020] - 42371 - Door handle spring, left-hinged

[030] - 42377 - Support

[040] - 42692 - Retainer ring

## Part: Handle Insert B15

Part-Number: 100795



---

## Part: Door handle spring, left-hinged

Part-Number: 42371



---

## Part: Support

Part-Number: 42377



## Part: Retainer ring

Part-Number: 42692



**PLATON SERVICE**

8 (800) 500-34-47

[www.platonservice.com](http://www.platonservice.com)

# Service manual

## Door Handle B15 right complete

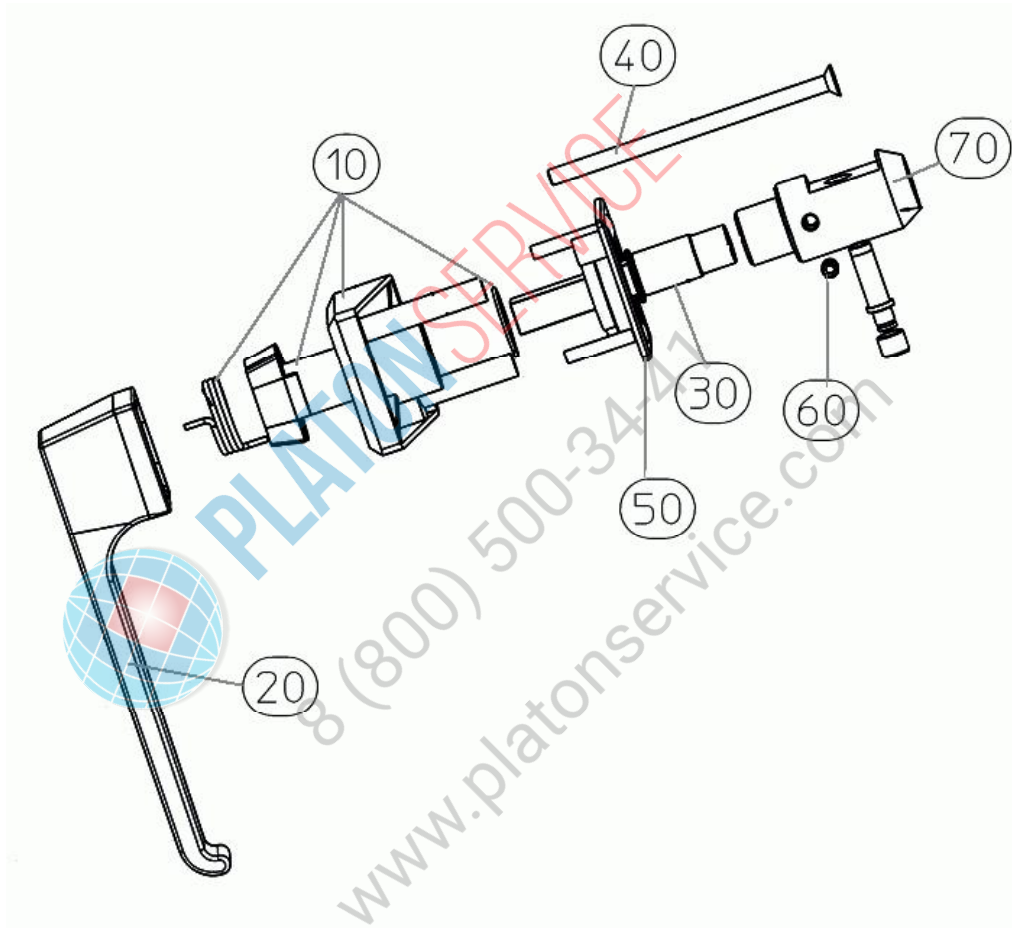
Version: 2.00

Ident: B15-EM-IS

Series: EM

Part-Number: 500387

This part can be ordered.



### Chapter

500388 - Handle Element B15 right complete assembled - V:2.00

- [020] - 36714 - Door handle B15
- [030] - 103519 - Axle
- [040] - 42720 - Screw M6x110 DIN 7991
- [050] - 38152 - Counterpiece
- [060] - 42725 - Threaded pin M8x8 DIN 913
- [070] - 101068 - Sash fastener

## Part: Door handle B15

Part-Number: 36714



---

## Part: Axle

Part-Number: 103519



PLATON SERVICE  
8 (800) 500-34-47  
www.platonservice.com



**Part: Screw M6x110 DIN 7991**

Part-Number: 42720

---

**Part: Counterpiece**

Part-Number: 38152



**Part: Threaded pin M8x8 DIN 913**

Part-Number: 42725



**Part: Sash fastener**

Part-Number: 101068

---

# Service manual

## Handle Element B15 right complete assembled

Version: 2.00

Ident: B15-EM-IS

Series: EM

Part-Number: 500388

This part can be ordered.



### Chapter

[010] - 100795 - Handle Insert B15

[020] - 42373 - Door handle spring, right-hinged

[030] - 42377 - Support

[040] - 42692 - Retainer ring

## Part: Handle Insert B15

Part-Number: 100795



---

## Part: Door handle spring, right-hinged

Part-Number: 42373



---

## Part: Support

Part-Number: 42377



## Part: Retainer ring

Part-Number: 42692



**PLATON SERVICE**

8 (800) 500-34-47

[www.platonservice.com](http://www.platonservice.com)

# Service manual Sealing Pane BG3

**Version: 2.00**

**Ident:**

**Series: EM**

**Part-Number: 33886**



**PLATON SERVICE**

8 (800) 500-34-47

[www.platonservice.com](http://www.platonservice.com)

# Service manual Viewing glass BG3

Version: 2.00

Ident:

Series: EM

Part-Number: 33887



**PLATON SERVICE**

8 (800) 500-34-47

[www.platonservice.com](http://www.platonservice.com)

# Service manual Electric slide B15-EM-IS

Version: 2.00

Ident: B15-EM-IS

Series: EM

Part-Number: 500377

This part can be ordered.



## Chapter

- [010] - 36822 - Axial Blower
- [020] - 101106 - Power board
- [030] - 93123 - Triac Setter 32A 400V (E200A)
- [040] - 38726 - Ring Core Transformer
- [050] - 34752 - Micro-Fuse 1A
- [050] - 35135 - Micro-Fuse 2A
- [060] - 33126 - Relay main switch
- [070] - 38400 - Loudspeaker

## Part: Axial Blower

Part-Number: 36822



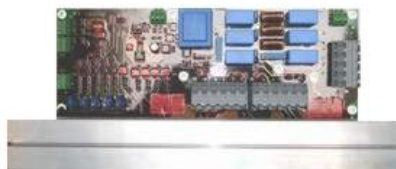
## Part: Power board

Part-Number: 101106



## Part: Triac Setter 32A 400V (E200A)

Part-Number: 93123





## Part: Ring Core Transformer

Part-Number: 38726



---

## Part: Micro-Fuse 1A

Part-Number: 34752



---

## Part: Micro-Fuse 2A

Part-Number: 35135



## Part: Relay main switch

Part-Number: 33126



---

## Part: Loudspeaker

Part-Number: 38400



PLATON SERVICE  
8 (800) 500 34-47  
www.platonservice.com

# Service manual Frame B15

**Version: 2.00**

**Ident: B15-EM-IS**

**Series: EM**

**Part-Number: 500378**

**This part can be ordered.**



## Chapter

36822 - Axial Blower

37937 - Door latch plate in oven wall/frame



## Part: Axial Blower

Part-Number: 36822



---

## Part: Door latch plate in oven wall/frame

Part-Number: 37937



# Service manual Installation-Room B15

**Version: 2.00**

**Ident: B15-EM-IS**

**Series: EM**

**Part-Number: 500376**

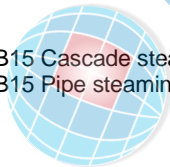
**This part can be ordered.**



## Chapter

500381 - Installation-Room B15 Cascade steaming - V:2.00

500380 - Installation-Room B15 Pipe steaming - V:2.00



PLATON SERVICE  
8 (800) 500376  
www.platonservice.com

# Service manual Installation-Room B15 Cascade steaming

Version: 2.00

Ident: B15-EM-IS

Series: EM

Part-Number: 500381

This part can be ordered.



## Chapter

- [010] - 36822 - Axial Blower
- [020] - 9020-110-002 - Fan motor
- [030] - 38816 - Fan reversing switch
- [040] - 31134 - Exhaust Tube B15
- [041] - 38532 - Sealing supply and exhaust air
- [050] - 36126 - Water flow detector flow meter FH20
- [060] - 100779 - Air Intake Pipe B15
- [070] - 34472 - Solenoid valve
- [080] - 34282 - Angle Fitting
- [090] - 40485 - Teflon hose
- [100] - 100627 - Safety limit switch (+340°C)

## Part: Axial Blower

Part-Number: 36822



---

## Part: Fan motor

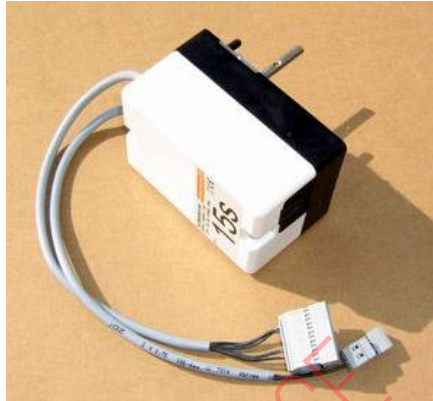
Part-Number: 9020-110-002





## Part: Fan reversing switch

Part-Number: 38816



---

## Part: Exhaust Tube B15

Part-Number: 31134

---

## Part: Sealing supply and exhaust air

Part-Number: 38532





## Part: Water flow detector flow meter FH20

Part-Number: 36126



---

## Part: Air Intake Pipe B15

Part-Number: 100779

---

## Part: Solenoid valve

Part-Number: 34472



---

## Part: Angle Fitting

Part-Number: 34282



## Part: Teflon hose

Part-Number: 40485



## Part: Safety limit switch (+340°C)

Part-Number: 100627



# Service manual

## Installation-Room B15 Pipe steaming

Version: 2.00

Ident: B15-EM-IS

Series: EM

Part-Number: 500380

This part can be ordered.



### Chapter

- [010] - 36822 - Axial Blower
- [020] - 36304 - Fan reversing switch
- [030] - 31134 - Exhaust Tube B15
- [031] - 38532 - Sealing supply and exhaust air
- [040] - 34282 - Angle Fitting
- [050] - 9020-110-002 - Fan motor
- [060] - 40485 - Teflon hose
- [070] - 36126 - Water flow detector flow meter FH20
- [080] - 100627 - Safety limit switch (+340°C)
- [090] - 33126 - Relay main switch

## Part: Axial Blower

Part-Number: 36822



---

## Part: Fan reversing switch

Part-Number: 36304



---

## Part: Exhaust Tube B15

Part-Number: 31134

## Part: Sealing supply and exhaust air

Part-Number: 38532



---

## Part: Angle Fitting

Part-Number: 34282



PLATON SERVICE  
8 (800) 560 3447  
www.platonservice.com

**Part: Fan motor**

**Part-Number: 9020-110-002**



**Part: Teflon hose**

**Part-Number: 40485**





## Part: Water flow detector flow meter FH20

Part-Number: 36126



---

## Part: Safety limit switch (+340°C)

Part-Number: 100627



---

## Part: Relay main switch

Part-Number: 33126



# Service manual Operating Panel B15 IS600

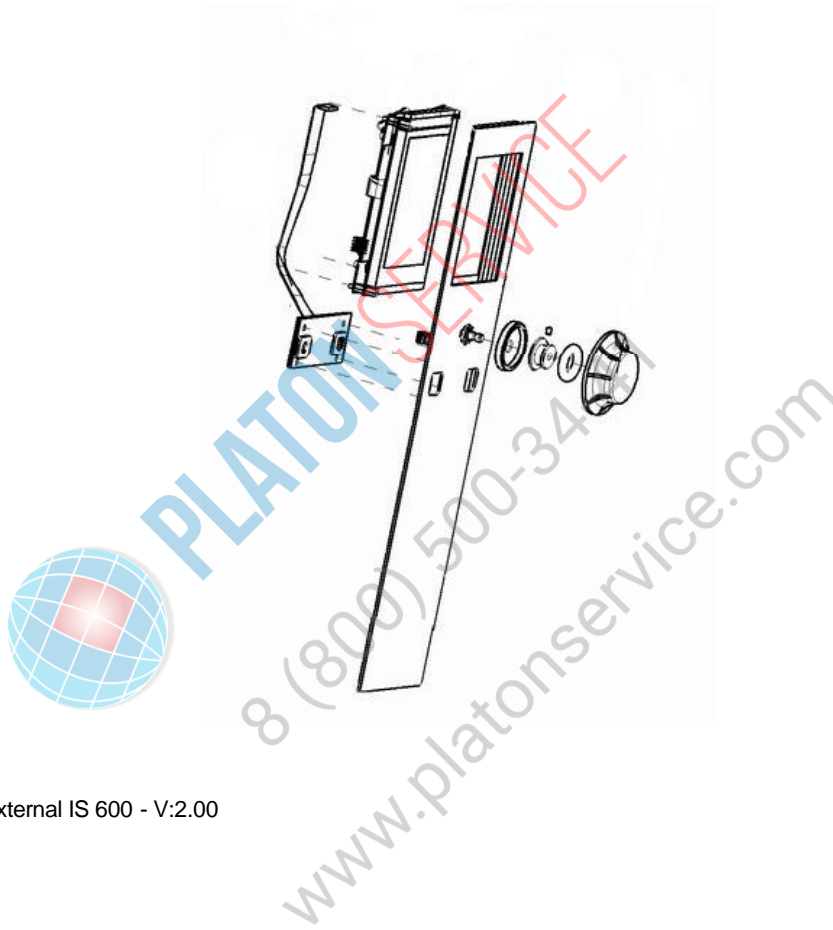
**Version: 2.00**

**Ident: B15-EM-IS**

**Series: EM**

**Part-Number: 500379**

**This part can be ordered.**



## Chapter

104986 - Operating Panel external IS 600 - V:2.00



# Service manual

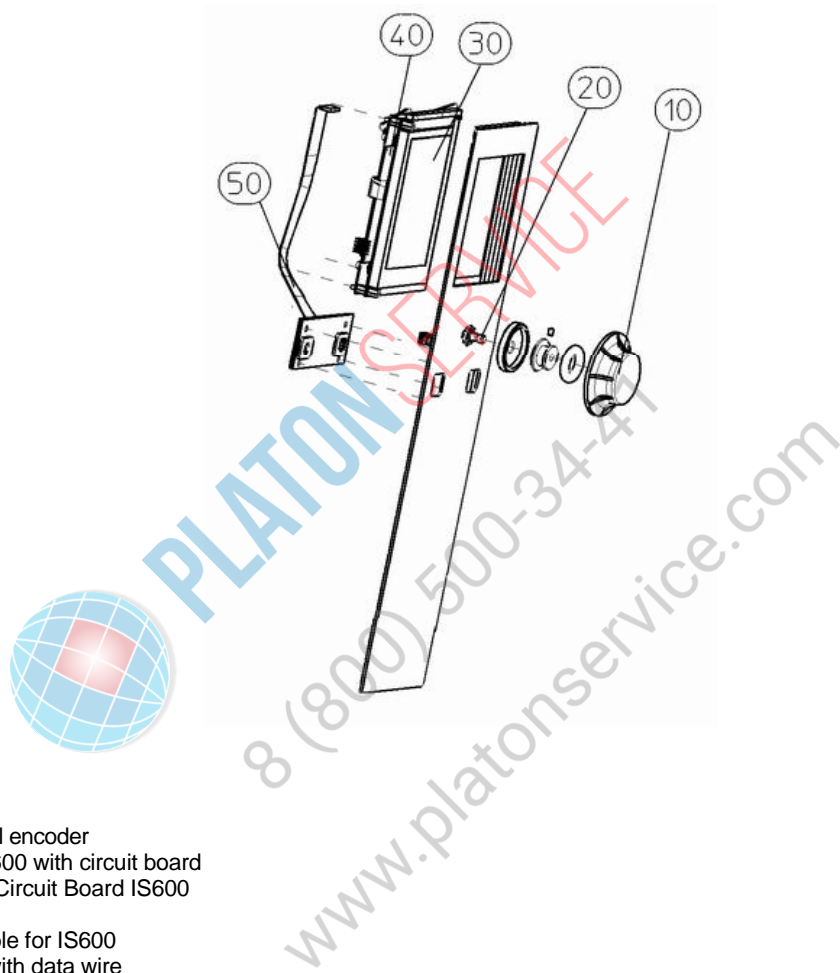
## Operating Panel external IS 600

Version: 2.00

Ident: B15-EM-IS

Series: EM

Part-Number: 104986



### Chapter

- [010] - 102685 - Knob grey
- [020] - 100591 - Incremental encoder
- [030] - 100617 - Display IS600 with circuit board
- [040] - 101107 - Electronic Circuit Board IS600
- [050] - 101563 - Key block
- [060] - 104354 - Ribbon cable for IS600
- [070] - 102806 - USB port with data wire

**Part: Knob grey**

**Part-Number: 102685**



**Part: Incremental encoder**

**Part-Number: 100591**



PLATON SERVICE  
8 (800) 47  
www.platonservice.com

## Part: Display IS600 with circuit board

Part-Number: 100617



---

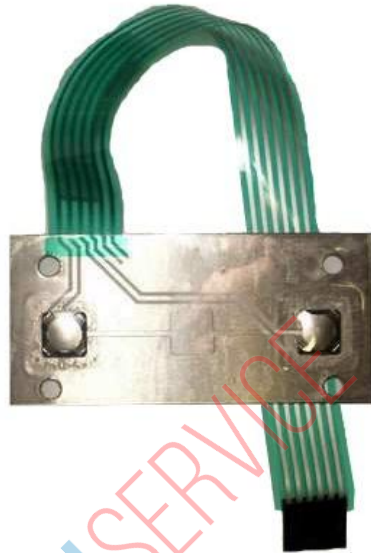
## Part: Electronic Circuit Board IS600

Part-Number: 101107



## Part: Key block

Part-Number: 101563



---

## Part: Ribbon cable for IS600

Part-Number: 104354



---

## Part: USB port with data wire

Part-Number: 102806





**PLATON**SERVICE

8 (800) 500-34-47

[www.platonservice.com](http://www.platonservice.com)

# Service manual Rack Trolley B15

**Version: 2.00**

**Ident: B15-EM-IS**

**Series: EM**

**Part-Number: 500373**

**This part can be ordered.**



## Chapter

105092 - Rack Trolley B15 with 13 trays - V:2.00  
101623 - Rack Trolley B15 with 18 trays - V:2.00

# Service manual Rack Trolley B15 with 13 trays

**Version: 2.00**  
**Ident: B15-EM-IS**  
**Series: EM**  
**Part-Number: 105092**



## Chapter

34690 - Castor without bracket  
34691 - Castor with bracket

## Part: Castor without bracket

Part-Number: 34690



## Part: Castor with bracket

Part-Number: 34691





# Service manual

## Rack Trolley B15 with 18 trays

Version: 2.00  
Ident: B15-EM-IS  
Series: EM  
Part-Number: 101623



### Chapter

34690 - Castor without bracket  
34691 - Castor with bracket

## Part: Castor without bracket

Part-Number: 34690



---

## Part: Castor with bracket

Part-Number: 34691



## Urheberrecht:

Das Urheberrecht an diesem Servicehandbuch verbleibt bei der WIESHEU GmbH. Dieses Servicehandbuch ist nur für autorisierte Servicepartner und dessen Personal bestimmt. Sie enthält Vorschriften und Hinweise, die weder vollständig noch teilweise vervielfältigt, verbreitet oder anderweitig mitgeteilt werden dürfen.

Alle Darstellungen, Zeichnungen, Bilder Texte und Angaben sind urheberrechtlich geschützt. Sie unterliegen den gewerblichen Schutzrechten.

## Zu diesem Servicehandbuch:

Alle Abbildungen in diesem Dokument sollen die Verständlichkeit unterstützen. Die Abbildungen sind nicht maßstabsgerecht. Teilweise sind dem Originalprodukt ähnelnde Abbildungen dargestellt, die geringfügig abweichen können.

## Achtung!

Vermeiden Sie Fehlfunktionen oder Beschädigungen durch falsche Ersatzteile. Wir empfehlen die ausschließliche Verwendung von WIESHEU-Original-Ersatzteilen.

**Wiesheu GmbH**  
**Daimlerstrasse 10**  
**DE-71563 Affalterbach**  
**Telefon: +49 (0)7144 / 3 03-0**  
**Fax: +49 (0)7144 / 3 03-11**  
**Service-Telefon: 0800-WIESHEU**  
**E-Mail: [info@wiesheu.de](mailto:info@wiesheu.de)**  
**[www.wiesheu.de](http://www.wiesheu.de)**

Stand: 08.06.2010



**PLATON SERVICE**

8 (800) 500-34-41

[www.platonservice.com](http://www.platonservice.com)